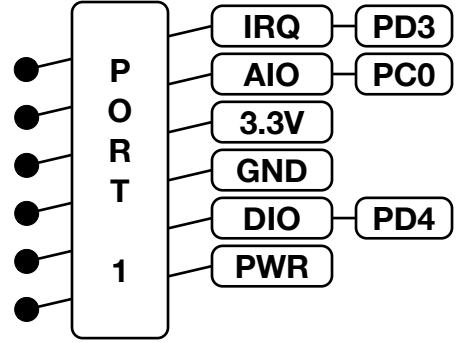
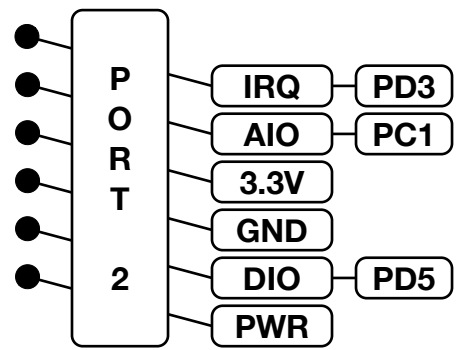
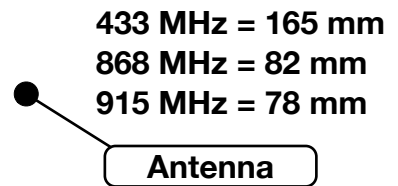


FTDI

PWR/SER/I2C



SPI/ISP



JeeNode v4