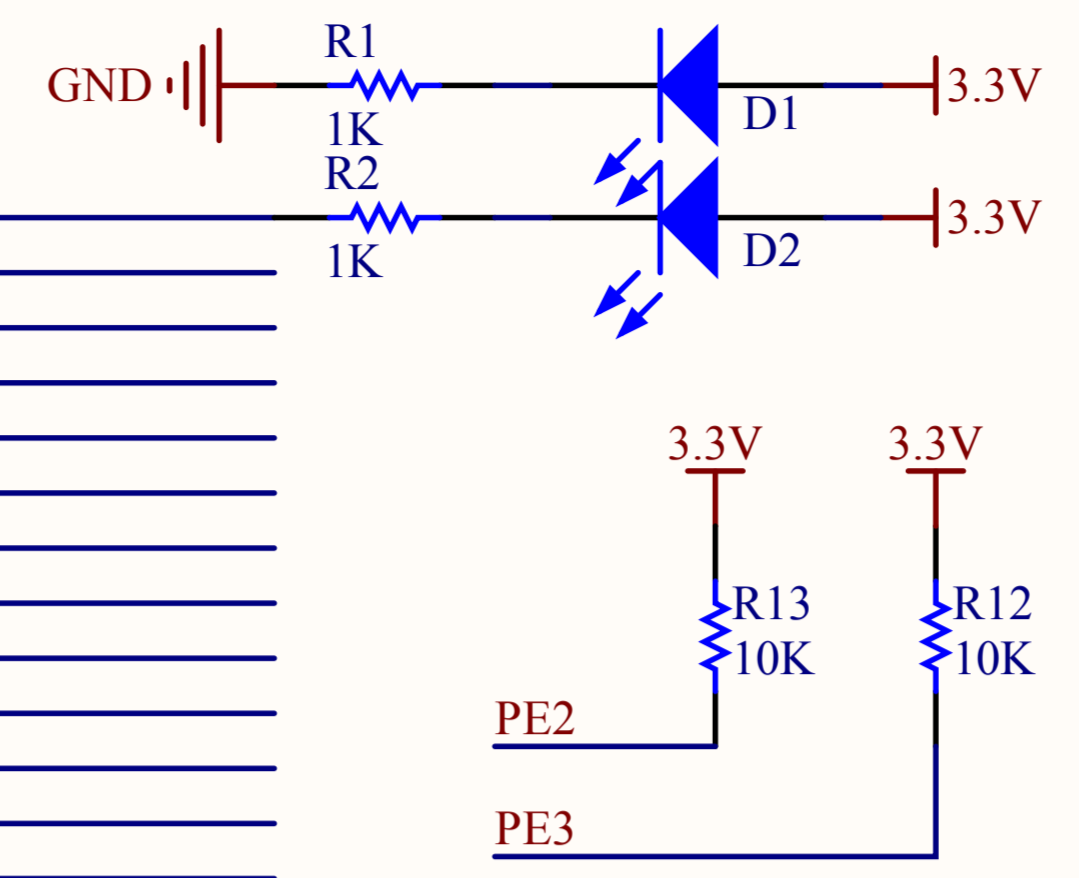
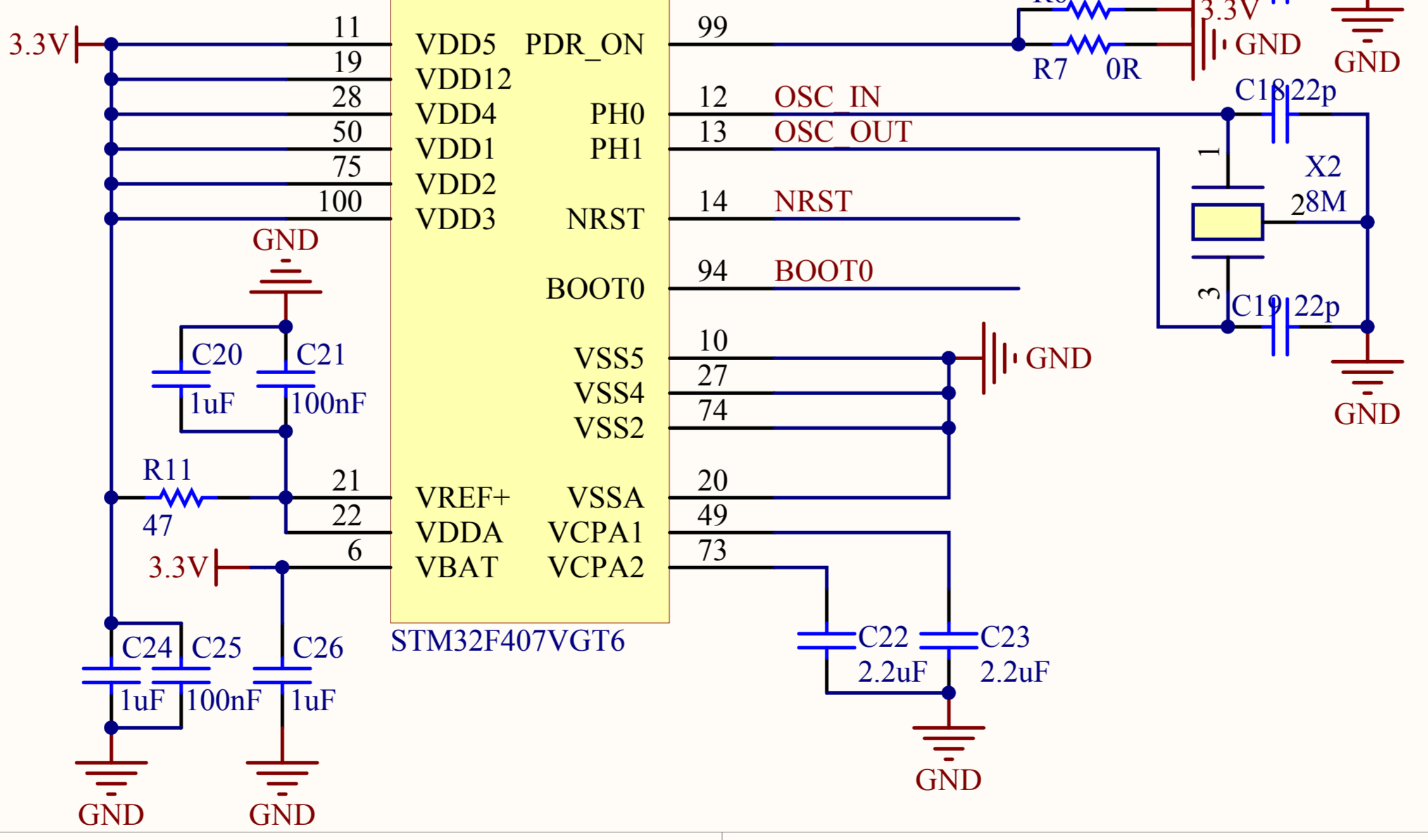


Pin	Function	Pin	Function
PA0/WKUP	23	PA0	PE0
PA1	24	PA1	PE1
PA2/USART2_TX	25	PA2	PE2
PA3/USART2_RX	26	PA3	PE3
PA4	29	PA4	PE4
PA5/SPI1_SCK	30	PA5	PE5
PA6/SPI1_MISO	31	PA6	PE6
PA7/SPI1_MOSI	32	PA7	PE7
PA8	67	PA8	PE8
PA9/USART1_TX	68	PA9	PE9
PA10/USART1_RX	69	PA10	PE10
PA11/USB_DM	70	PA11	PE11
PA12/USB_DP	71	PA12	PE12
PA13/JTMS-SWDIO	72	PA13	PE13
PA14/JTCK-SWCLK	76	PA14	PE14
PA15/JTDI	77	PA15	PE15

Pin	Function	Pin	Function
PB0/TIM3_CH3	35	PB0	PD0
PB1/TIM3_CH4	36	PB1	PD1
PB2/BOOT1	37	PB2	PD2
PB3/JTDO	89	PB3	PD3
PB4/NJTRST	90	PB4	PD4
PB5	91	PB5	PD5
PB6/IIC1_SCL	92	PB6	PD6
PB7/IIC1_SDA	93	PB7	PD7
PB8/TIM4_CH3	95	PB8	PD8
PB9/TIM4_CH4	96	PB9	PD9
PB10	47	PB10	PD10
PB11	48	PB11	PD11
PB12/SPI2_NSS	51	PB12	PD12
PB13/SPI2_SCK	52	PB13	PD13
PB14/SPI2_MISO	53	PB14	PD14
PB15/SPI2_MOSI	54	PB15	PD15

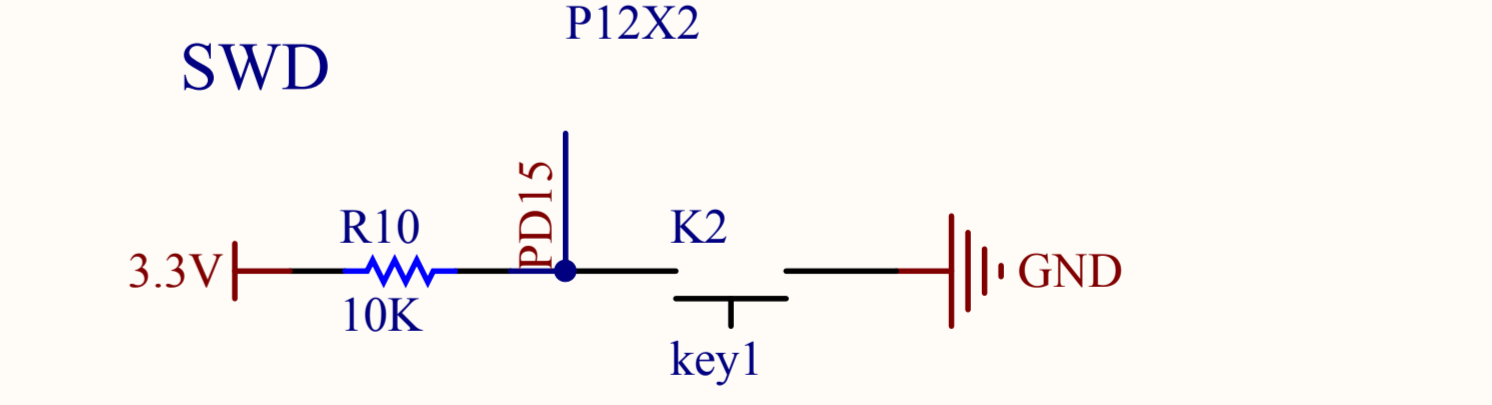
Pin	Function	Pin	Function
PC0	15	PC0	PC8
PC1	16	PC1	PC9
PC2	17	PC2	PC10
PC3	18	PC3	PC11
PC4	33	PC4	PC12
PC5	34	PC5	PC13
PC6/SDIO_D6	63	PC6	PC14
PC7/SDIO_D7	64	PC7	PC15



Pin	Function	Pin	Function
PC8/SDIO_D0	65	PC8	PC8
PC9/SDIO_D1	66	PC9	PC9
PC10/SDIO_D2	78	PC10	PC10
PC11/SDIO_D3	79	PC11	PC11
PC12/SDIO_D4	80	PC12	PC12
PC13	7	PC13	PC13
PC14	8	PC14	PC14
PC15	9	PC15	PC15

Pin	Function	Pin	Function
PC1	GND	PC1	GND
PC2	GND	PC2	GND
PC3	GND	PC3	GND
PC4	GND	PC4	GND
PC5	GND	PC5	GND
PC6	GND	PC6	GND
PC7	GND	PC7	GND
PC8	GND	PC8	GND
PC9	GND	PC9	GND
PC10	GND	PC10	GND
PC11	GND	PC11	GND
PC12	GND	PC12	GND
PC13	GND	PC13	GND
PC14	GND	PC14	GND
PC15	GND	PC15	GND

Pin	Function	Pin	Function
PC16	GND	PC16	GND
PC17	GND	PC17	GND
PC18	GND	PC18	GND
PC19	GND	PC19	GND
PC20	GND	PC20	GND
PC21	GND	PC21	GND
PC22	GND	PC22	GND
PC23	GND	PC23	GND
PC24	GND	PC24	GND



<https://cjmcu.taobao.com>

Title		Revision	
Size	Number	Revision	
A4			
Date:	2016/7/27	Sheet of	
File:	M:\ \..MINISTM32F407.SCHDO	Drawn By:	